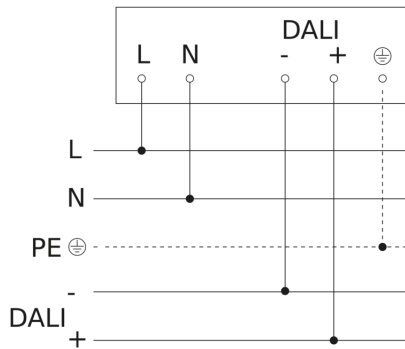


IS 345

DALI-2 APC - surface, sq.
EAN 4007841 010584
Article number 010584



Master circuit diagram



Circuit diagram for interconnecting DALI-2 APC with DALI-2 IPD

